

SURFACE MOUNT SOCKET (Straight)

FEATURES

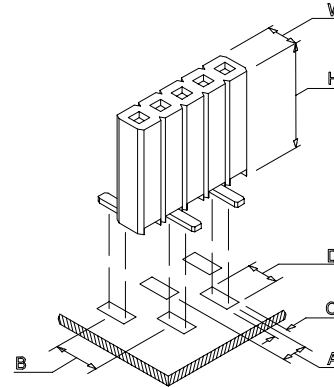
- Chamfered entry prevents pin stubbing
- High reliability tuning fork contact
- IR, vapor and wave solder compatible
- Selective plating options available
- Mates with Crane's PEG, MPEG, TPEG, and DPEG Headers

STANDARD PART DIMENSIONS

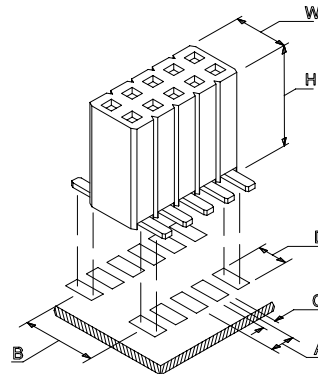
INSULATOR BODY		Single Row	Dual Row
W	WIDTH	0.098" / 2,49mm	0.195" / 4,95mm
H	HEIGHT	0.335" / 8,51mm	0.335" / 8,51mm
RECOMMENDED PC BOARD LAYOUT		Single Row	Dual Row
A	PAD CENTERLINE SPACING	0.100" / 2,54mm	0.100" / 2,54mm
B	PAD CENTERLINE SPACING	0.180" / 4,57mm	0.280" / 7,11mm
C	PAD SIZE	0.045" / 1,14mm	0.045" / 1,14mm
D		0.100" / 2,54mm	0.100" / 2,54mm
MATERIALS			
INSULATOR BODY		High Temp Thermoplastic (UL94V-O)	
CONTACT		Phosphor Bronze	

See SPECIFICATIONS and PERFORMANCE DATA for more information.

SINGLE ROW (3 to 40 Positions)



DUAL ROW (4 to 80 Positions)





SAMPLE HOTLINE: 1-800-676-7644

0.100" (2,54mm) Centers To Mate With 0.025" (0,64mm) Square Posts	HOW TO ORDER CRANE'S GATT SERIES							
	STANDARD PART NUMBER							
					--			
PRODUCT SERIES	GATT							
TOTAL NUMBER OF POSITIONS	SINGLE	03-40						
	DUAL	04-80						
NUMBER OF ROWS	SINGLE		S					
	DUAL		D					
TYPE OF SOCKET	STRAIGHT			S				
CONTACT PLATING (See Plating Information Below)	CHOOSE G, H or M, L, F							
	NOTE: Some platings may be subject to minimums							
TAIL PLATING	SAME AS CONTACT						C	
	TIN / LEAD (USED WITH GOLD CONTACT)						T	
TAIL SURFACE MOUNT								S

SAMPLE HOTLINE: 1-800-676-7644

CRANE CONNECTORS - PLATING SPECIFICATIONS

PLATING OPTIONS		CONTACT AREA Inches (Millimeters)	PC TAIL Inches (Millimeters)	UNDERPLATE Inches (Millimeters)
G	Selective	15 μ " (0,00038) Gold	100 μ " (0,00254) Tin/Lead - Min	50 μ " (0,00127) Nickel - Min.
T	Tin / Lead	100 μ " (0,00254) Tin / Lead	100 μ " (0,00254) Tin/Lead - Min	50 μ " (0,00127) Nickel - Min.
M	Selective	50 μ " (0,00127) Gold	100 μ " (0,00254) Tin/Lead - Min	50 μ " (0,00127) Nickel - Min.
H	Selective	30 μ " (0,00076) Gold	100 μ " (0,00254) Tin/Lead - Min	50 μ " (0,00127) Nickel - Min.
L	Selective	10 μ " (0,00025) Gold	100 μ " (0,00254) Tin/Lead - Min	50 μ " (0,00127) Nickel - Min.
F	Selective	3 μ " (0,00008) Gold	100 μ " (0,00254) Tin/Lead - Min	50 μ " (0,00127) Nickel - Min.

 UL File No. E120111 (N)	ISO9001  Crane Connectors File No. A-3620
Recognized to U.S. and Canadian requirements under the Component Recognition Program of Underwriters Laboratories Inc.	Registered by UL to ISO9001 under UL's accreditation by Raad voor de Certificatie (RvC), the Dutch Council for Certification.

ENGINEERING NOTE: The information presented in this catalog page is accurate to the best of our knowledge. Due to ongoing efforts to advance design and material performance, the information is subject to change without notice.

SAMPLE HOTLINE: 1-800-676-7644

CRANE CONNECTORS • 4700 Smith Road • Cincinnati, Ohio 45212 USA • E-mail Address: info@craneconnectors.com
 Phone: (513) 631-4700 • Fax (513) 631-5700 • Toll Free US (800) 676-7644 • Canada (800) 420-7310