

2mm PIN STRIP HEADER (Straight, Dual Insulator)

FEATURES

- Dual insulator design adds stability
- Custom heights available for unusual board spacing
- IR, Vapor Phase and Wave Solder Compatible
- Insulator standoffs reduce rework due to flux residue
- Mates with Crane's ATM and AMT Series Sockets; JNM jumpers

STANDARD PART DIMENSIONS

MATING		SINGLE ROW	DUAL ROW
P	POST LENGTH	Crane's simple part numbering system (see next page) allows the designer to order an unlimited number of board spacing options.	
I	INSULATOR SPACING		
L	PIN LENGTH		

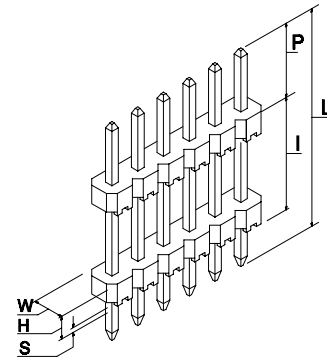
INSULATOR BODY		SINGLE ROW	DUAL ROW
W	WIDTH	2,0mm / 0.079"	4,0mm / 0.157"
H	HEIGHT	1,5mm / 0.059"	1,5mm / 0.059"
S	STANDOFF	0,2mm / 0.008"	0,2mm / 0.008"

MATERIALS

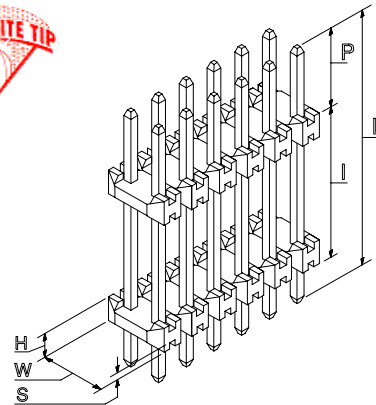
INSULATOR BODY	High Temperature Thermoplastic (UL94V-O)
POST	Phosphor Bronze

See SPECIFICATIONS and PERFORMANCE DATA for more detail

SINGLE ROW (01 to 50 Positions)



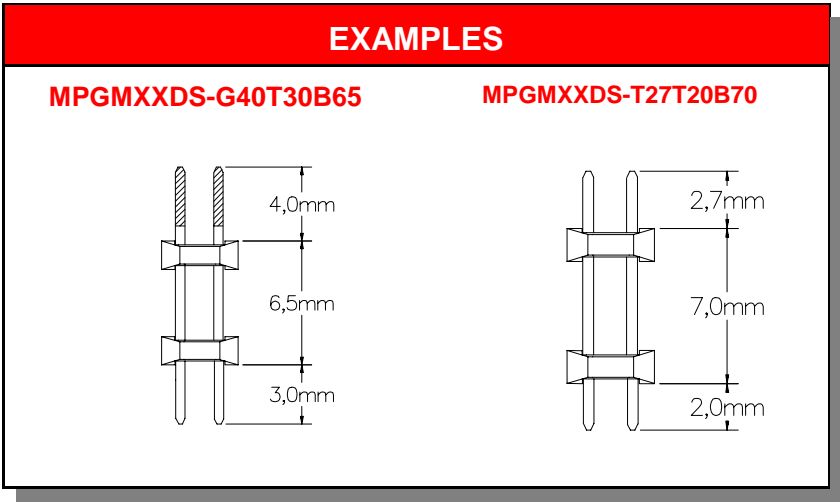
DUAL ROW (02 to 100 Positions)



Crane's MPGM Series
BOARD STACKING HEADERS
 mate with our single and dual row
 2mm sockets (ATM and AMT
 Series Sockets)

SAMPLE HOTLINE: 1-800-676-7644

2,0mm (0.079") Centers 0,50mm (0.020") Square Mating Posts	HOW TO ORDER CRANE'S MPGM SERIES							
	STANDARD PART NUMBER							
				--				
PRODUCT SERIES	MPGM							
TOTAL NUMBER OF POSITIONS	SINGLE	01-50						
	DUAL	02-100						
NUMBER OF ROWS	SINGLE	S						
	DUAL	D						
TYPE OF HEADER	STRAIGHT						S	
PLATING (See Specs At Bottom Of Page)	G,T or H, L, F							
Due to the number of options, not all platings are stocked for all pin lengths. Contact factory for availability.								
MATING POST LENGTH	In tenths of millimeters							
TAIL DIMENSION	"T" Followed by tail length in tenths of millimeters							T__
INSULATOR-TO-INSULATOR DIMENSION	B" Followed by "I" dimension in tenths of millimeters							B__



SAMPLE HOTLINE: 1-800-676-7644

CRANE CONNECTORS - PLATING SPECIFICATIONS

PLATING OPTIONS		CONTACT AREA Inches (Millimeters)	PC TAIL Inches (Millimeters)	UNDERPLATE Inches (Millimeters)
G	Selective	15 μ " (0,00038) Gold	100 μ " (0,00254) Tin/Lead - Min	50 μ " (0,00127) Nickel - Min.
T	Tin / Lead	100 μ " (0,00254) Tin / Lead	100 μ " (0,00254) Tin/Lead - Min	50 μ " (0,00127) Nickel - Min.
M	Selective	50 μ " (0,00127) Gold	100 μ " (0,00254) Tin/Lead - Min	50 μ " (0,00127) Nickel - Min.
H	Selective	30 μ " (0,00076) Gold	100 μ " (0,00254) Tin/Lead - Min	50 μ " (0,00127) Nickel - Min.
L	Selective	10 μ " (0,00025) Gold	100 μ " (0,00254) Tin/Lead - Min	50 μ " (0,00127) Nickel - Min.
F	Selective	3 μ " (0,00008) Gold	100 μ " (0,00254) Tin/Lead - Min	50 μ " (0,00127) Nickel - MinG

STANDARDS

ISO9001



Crane Connectors
File No. A-3620

Registered by UL to ISO9001 under UL's accreditation by Raad voor de Certificatie (RvC), the Dutch Council for Certification.

ENGINEERING NOTE: The information presented in this catalog page is accurate to the best of our knowledge. Due to ongoing efforts to advance design and material performance, the information is subject to change without notice.

SAMPLE HOTLINE: 1-800-676-7644

CRANE CONNECTORS • 4700 Smith Road • Cincinnati, Ohio 45212 USA • E-mail Address: info@craneconnectors.com
Phone: (513) 631-4700 • Fax (513) 631-5700 • Toll Free US (800) 676-7644 • Canada (800) 420-7310