

.050" SHROUDED HEADER (Elevated / SMT)

FEATURES

- Four wall shielding provides unmated pin protection
- Custom heights available for board stacking
- Smaller centers allow for higher density packaging
- IR, Vapor Phase, and Wave Solder compatible
- Mates with Crane's AFF and ATF Series sockets

STANDARD PART DIMENSIONS

MATING		Dual Row MPLF	Dual Row MPLH
P	POST LENGTH	Please refer to the chart on the next page for a wide selection of common post lengths and board spacing options. Call us if the size you need is not listed.	
I	INSULATOR SPACING		

INSULATOR BODY (TOP)		Dual Row MPLF	Dual Row MPLH
W	WIDTH	0.245" / 6,22mm	0.295" / 7,49mm
D	DEPTH	0.160" / 4,06mm	0.245" / 6,22mm
H	HEIGHT	0.215" / 5,46mm	0.300" / 7,62mm
X	INSIDE	(#Pos. X 0.025") + 0.028"	(#Pos. X 0.025") + 0.028"
O	OUTSIDE	(#Pos. X 0.025") + 0.160"	(#Pos. X 0.025") + 0.160"

INSULATOR BODY (BOTTOM)		Dual Row MPLF	Dual Row MPLH
W2	WIDTH	0.130" / 3,30mm	0.180" / 4,57mm
C1	ROW TO ROW	0.050" / 1,27mm	0.100" / 2,54mm

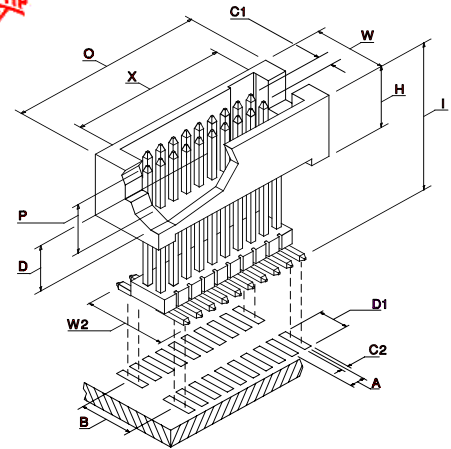
RECOMMENDED PC BOARD LAYOUT		Dual Row MPLF	Dual Row MPLH
A	PAD CENTERLINE SPACING	0.050" / 1,27mm	0.050" / 1,27mm
B		0.330" / 8,40mm	0.380" / 9,65mm
C2	PAD SIZE	0.025" / 0,64mm	0.025" / 0,64mm
D1	PAD SIZE	0.100" / 2,54mm	0.100" / 2,54mm

MATERIALS

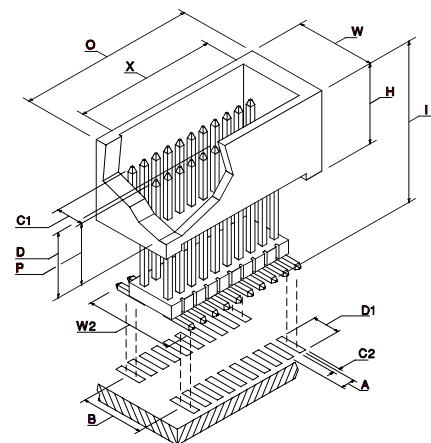
INSULATOR BODY	High Temperature Thermoplastic (UL94V-O)
POST	Phosphor Bronze

See SPECIFICATIONS and PERFORMANCE DATA for more detail

MPLF (10 to 100 Positions)



MPLH (10 to 100 Positions)



SAMPLE HOTLINE: 1-800-676-7644

0.050" (1,27mm) Centers 0.018" (0,46mm) Square Mating Posts	HOW TO ORDER CRANE'S MPLF / MPLH SERIES									
	STANDARD PART NUMBER									
						--			--	
PRODUCT SERIES	MPL									
INSULATOR STYLE	050 x 050	F								
	050 x 100	H								
TOTAL NUMBER OF POSITIONS	DUAL		10-100							
NOTE: Available in MULTIPLES OF TEN only										
NUMBER OF ROWS	DUAL			D						
TYPE OF HEADER	STRAIGHT				S					
PLATING (See Specs Below)	G, F or T									
NOTE: Not all lengths are stocked in all platings. Please contact factory for availability.										
TAIL STYLE	SURFACE MOUNT							S		

SELECTED OPTIONS	POST LENGTH ("P")	BODY HEIGHT ("I")		
	Options for MPLF (SMT)			
	0.120" = C	0.535" = L	C	L
	0.140" = F	0.410" = E	F	E
	0.140" = F	0.610" = O	F	O
	0.160" = J	0.485" = I	J	I
	Options for MPLH (SMT)			
	0.120" = C	0.410" = E	C	E
	0.140" = F	0.290" = A	F	A
0.150" = H	0.485" = I	H	I	
0.200" = R	0.535" = L	R	L	

SAMPLE HOTLINE: 1-800-676-7644

CRANE CONNECTORS - PLATING SPECIFICATIONS

PLATING OPTIONS		CONTACT AREA Inches (Millimeters)	PC TAIL Inches (Millimeters)	UNDERPLATE Inches (Millimeters)
G	Selective	15 _μ " (0,00038) Gold	100 _μ " (0,00254) Tin/Lead - Min	50 _μ " (0,00127) Nickel - Min.
T	Tin / Lead	100 _μ " (0,00254) Tin / Lead	100 _μ " (0,00254) Tin/Lead - Min	50 _μ " (0,00127) Nickel - Min.
M	Selective	50 _μ " (0,00127) Gold	100 _μ " (0,00254) Tin/Lead - Min	50 _μ " (0,00127) Nickel - Min.
H	Selective	30 _μ " (0,00076) Gold	100 _μ " (0,00254) Tin/Lead - Min	50 _μ " (0,00127) Nickel - Min.
L	Selective	10 _μ " (0,00025) Gold	100 _μ " (0,00254) Tin/Lead - Min	50 _μ " (0,00127) Nickel - Min.
F	Selective	3 _μ " (0,00008) Gold	100 _μ " (0,00254) Tin/Lead - Min	50 _μ " (0,00127) Nickel - Min.

ENGINEERING NOTE:

The information presented in this catalog page is accurate to the best of our knowledge. Due to ongoing efforts to advance design and material performance, the information is subject to change without notice.

STANDARDS

ISO9001



Crane Connectors
File No. A-3620

Registered by UL to ISO9001 under UL's accreditation by Raad voor de Certificatie (RvC), the Dutch Council for Certification.

SAMPLE HOTLINE: 1-800-676-7644

CRANE CONNECTORS • 4700 Smith Road • Cincinnati, Ohio 45212 USA • E-mail Address: info@craneconnectors.com
Phone: (513) 631-4700 • Fax (513) 631-5700 • Toll Free US (800) 676-7644 • Canada (800) 420-7310