

.050" SURFACE MOUNT HEADER (Straight)

FEATURES

- Excellent for low profile board stacking
- Smaller centers allow higher density packaging
- IR, Vapor Phase, and Wave Solder compatible
- Tailored applications available ... call us!
- Mates with Crane's ATF and AFF Series sockets

STANDARD PART DIMENSIONS

MATING		Single Row PFH	Dual Row PFH	Dual Row PFF
P	POST "B"	0.220" / 5,59mm	0.220" / 5,59mm	0.220" / 5,59mm
	POST "C"	0.120" / 3,05mm	0.120" / 3,05mm	0.120" / 3,05mm
	POST "I"	See Selected Options (next page)		

INSULATOR BODY		Single Row PFH	Dual Row PFH	Dual Row PFF
W	WIDTH	0.100" / 2,54mm	0.180" / 4,57mm	0.130" / 3,30mm
H	HEIGHT	0.050" / 1,27mm	0.050" / 1,27mm	0.050" / 1,27mm
I	Height Above Board	0.080" / 2,03mm	0.060" / 1,52mm	0.060" / 1,52mm
C1	ROW TO ROW	N/A	0.100" / 2,54mm	0.050" / 1,27mm

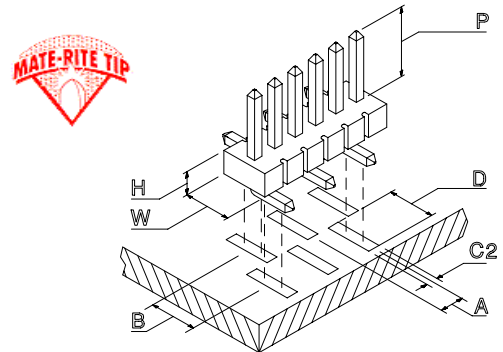
RECOMMENDED PC BOARD LAYOUT		Single Row PFH	Dual Row PFH	Dual Row PFF
A	PAD CENTERLINE SPACING	0.050" / 1,27mm	0.050" / 1,27mm	0.050" / 1,27mm
B	PAD CENTERLINE SPACING	0.100" / 2,54mm	0.220" / 5,59mm	0.170" / 4,32mm
C2	PAD SIZE	0.025" / 0,64mm	0.025" / 0,64mm	0.025" / 0,64mm
D	PAD SIZE	0.100" / 2,54mm	0.100" / 2,54mm	0.100" / 2,54mm

MATERIALS

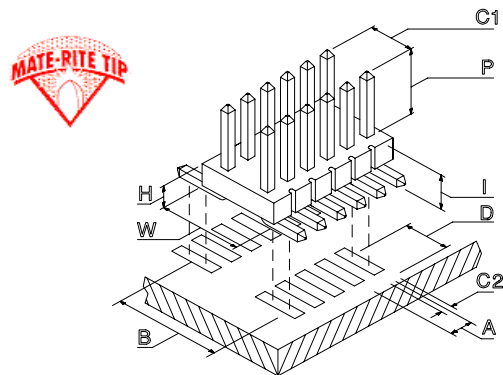
INSULATOR BODY	High Temperature Thermoplastic (UL94V-O)
POST	Phosphor Bronze

See SPECIFICATIONS and PERFORMANCE DATA for more detail

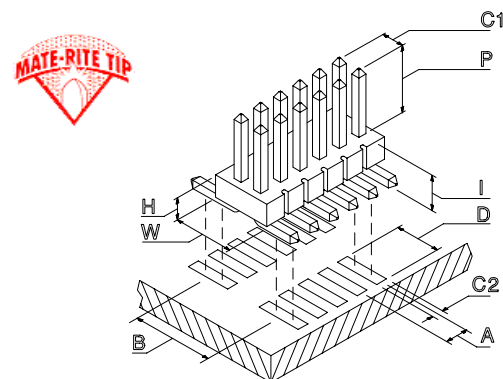
SINGLE ROW (3 to 60 Positions) PFH




DUAL ROW (4 to 120 Positions) PFH



DUAL ROW (4 to 120 Positions) PFF



SAMPLE HOTLINE: 1-800-676-7644

0.050" (1,27mm) Centers 0.018" (0,46mm) Square Mating Posts		HOW TO ORDER CRANE'S PFF / PFH SERIES															
		STANDARD PART NUMBER								OPTIONAL							
PRODUCT SERIES		PF						--									
INSULATOR STYLE		SINGLE	H														
	050 x 100	DUAL	H														
	050 x 050	DUAL	F														
TOTAL NUMBER OF POSITIONS	SINGLE		03-60														
	DUAL		04-120														
NUMBER OF ROWS	SINGLE		S														
	DUAL		D														
TYPE OF HEADER	STRAIGHT		S														
PLATING (See Specs Below)	G or T																
MATING POST DATA	Mating Post Length		Min. Gold Plated Area														
	0.220" / 5,58mm		0.150" / 3,81mm		B												
	0.120" / 3,05mm		0.080" / 2,03mm		C												
	OPTIONAL LENGTH - See Below				I												
TAIL (0.100" / 2,54mm) STANDARD	SURFACE MOUNT		S														
TAIL OPTIONS	KINKED		0.018" / 0,46mm	K													
	ROUNDED		0.020" / 0,51mm Diagonal	R													
	ROUND (WHOLE PIN)		0.018" / 0,46mm Diameter	D													
SELECTED OPTIONS		POST															
If you need one of our optional dimensions just add one of these designated posts to the end of the standard part number.			I	0.300"	3	0	0										
				0.400"	4	0	0										
				0.500"	5	0	0										

SAMPLE HOTLINE: 1-800-676-7644

CRANE CONNECTORS - PLATING SPECIFICATIONS

PLATING OPTIONS		CONTACT AREA Inches (Millimeters)	PC TAIL Inches (Millimeters)	UNDERPLATE Inches (Millimeters)
G	Selective	15 _μ " (0,00038) Gold	100 _μ " (0,00254) Tin/Lead - Min	50 _μ " (0,00127) Nickel - Min.
T	Tin / Lead	100 _μ " (0,00254) Tin / Lead	100 _μ " (0,00254) Tin/Lead - Min	50 _μ " (0,00127) Nickel - Min.
M	Selective	50 _μ " (0,00127) Gold	100 _μ " (0,00254) Tin/Lead - Min	50 _μ " (0,00127) Nickel - Min.
H	Selective	30 _μ " (0,00076) Gold	100 _μ " (0,00254) Tin/Lead - Min	50 _μ " (0,00127) Nickel - Min.
L	Selective	10 _μ " (0,00025) Gold	100 _μ " (0,00254) Tin/Lead - Min	50 _μ " (0,00127) Nickel - Min.
F	Selective	3 _μ " (0,00008) Gold	100 _μ " (0,00254) Tin/Lead - Min	50 _μ " (0,00127) Nickel - Min.

ENGINEERING NOTE:

The information presented in this catalog page is accurate to the best of our knowledge. Due to ongoing efforts to advance design and material performance, the information is subject to change without notice.

STANDARDS

ISO9001



Crane Connectors
File No. A-3620

Registered by UL to ISO9001 under UL's accreditation by Raad voor de Certificatie (RvC), the Dutch Council for Certification.

SAMPLE HOTLINE: 1-800-676-7644

CRANE CONNECTORS • 4700 Smith Road • Cincinnati, Ohio 45212 USA • E-mail Address: info@craneconnectors.com
Phone: (513) 631-4700 • Fax (513) 631-5700 • Toll Free US (800) 676-7644 • Canada (800) 420-7310